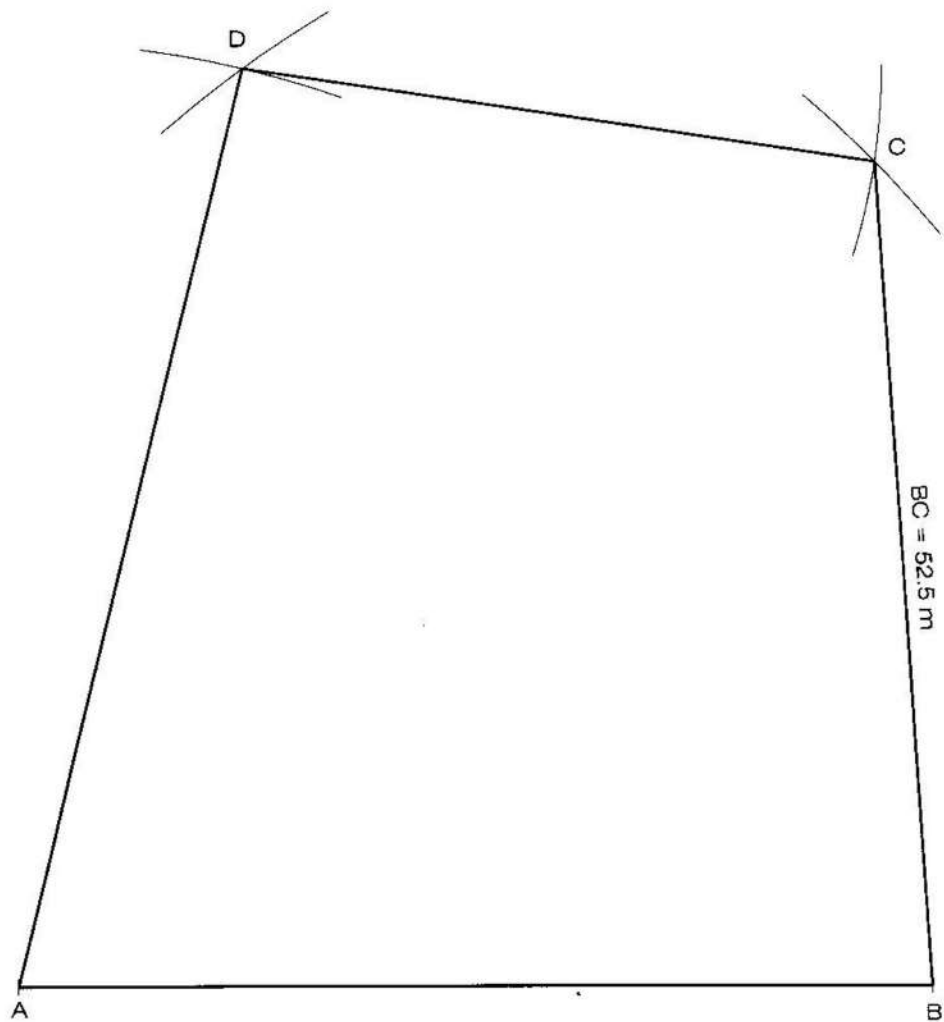
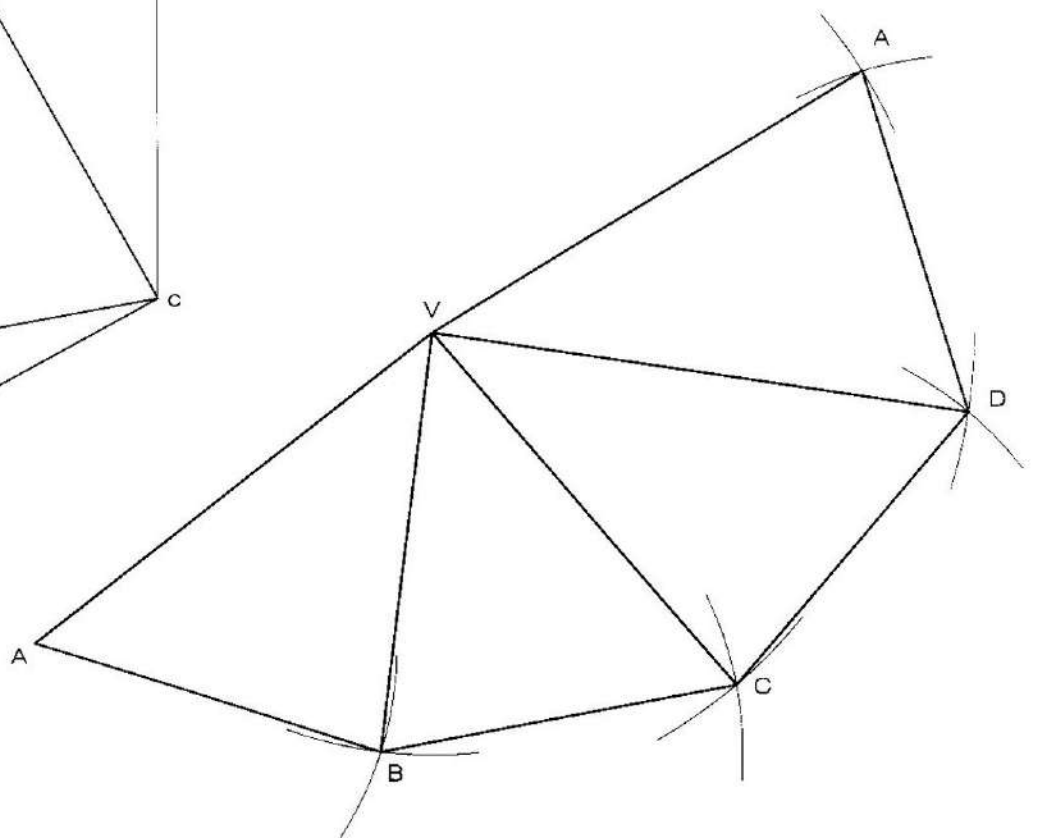
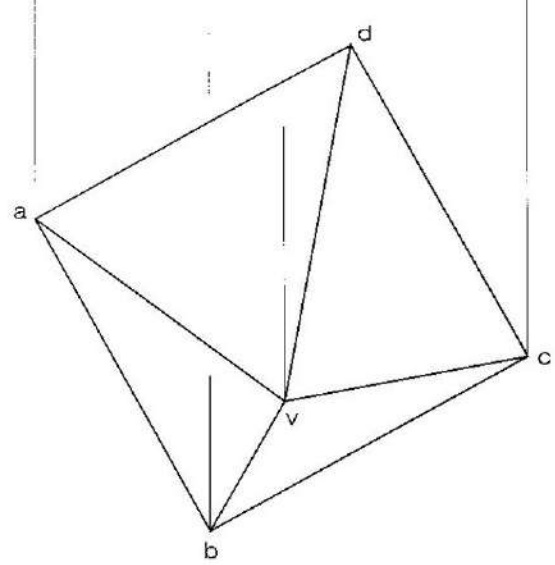
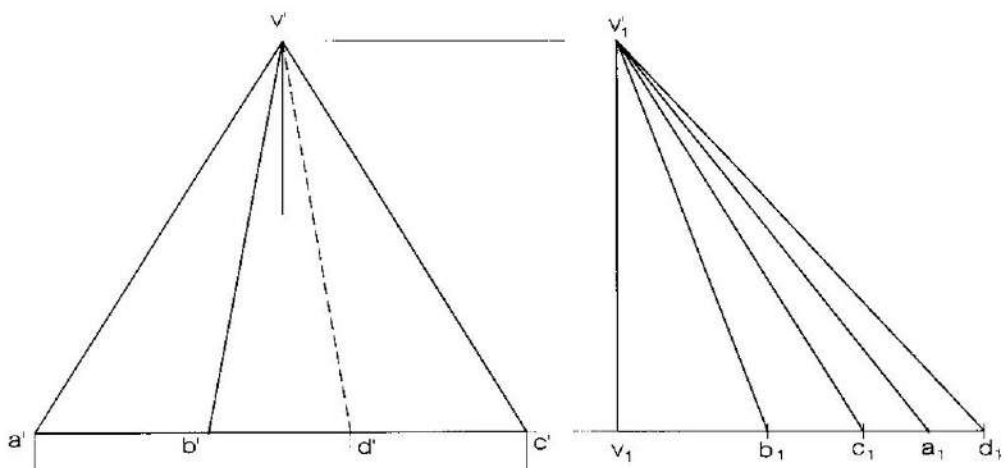
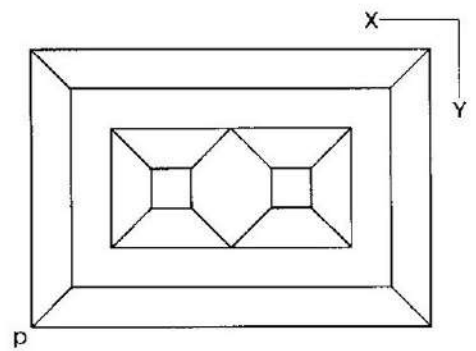
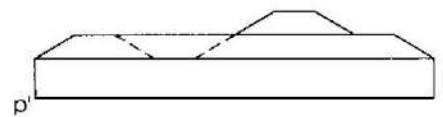
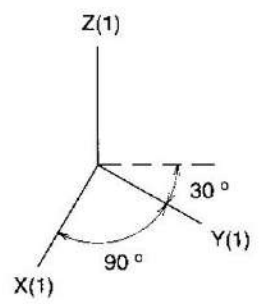
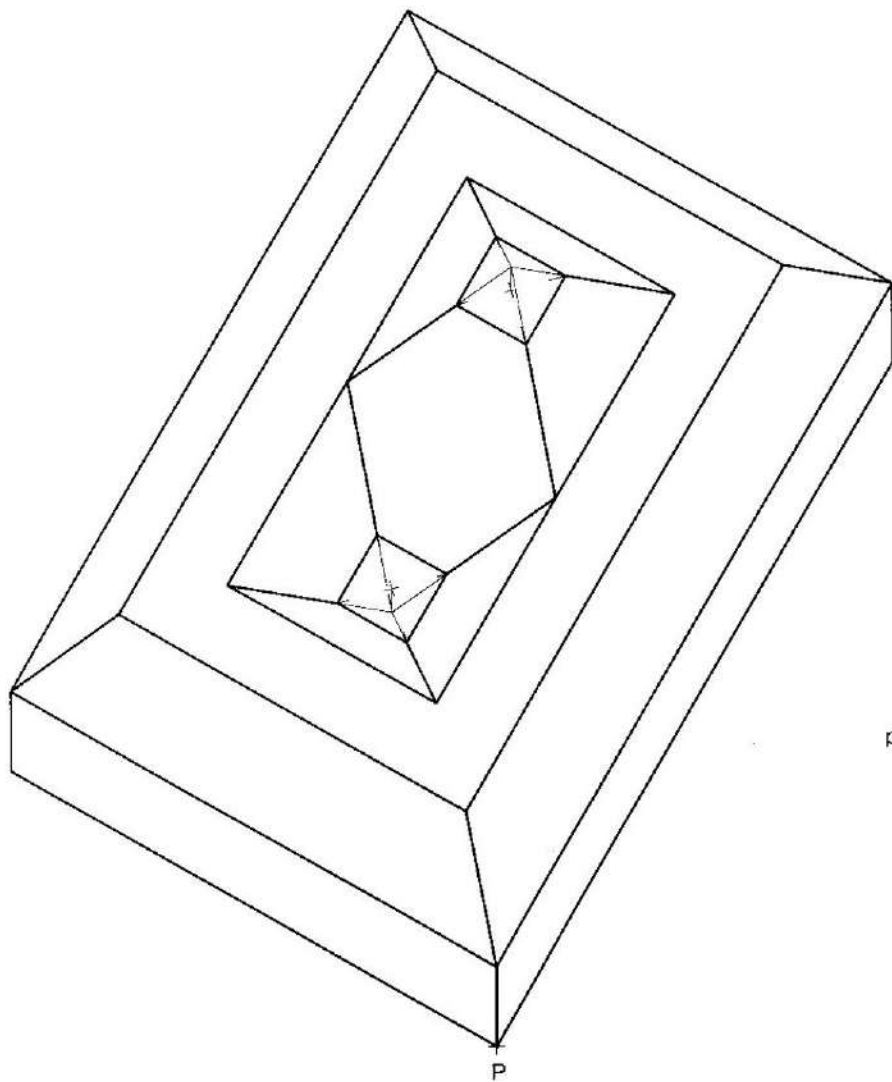


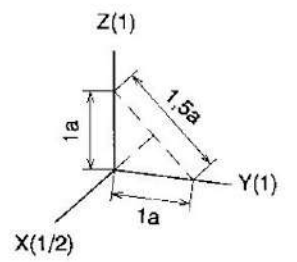
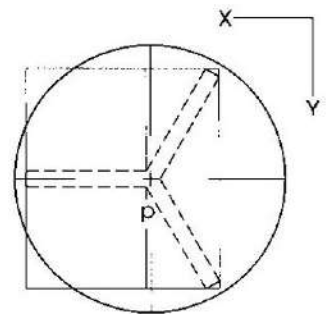
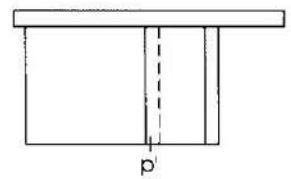
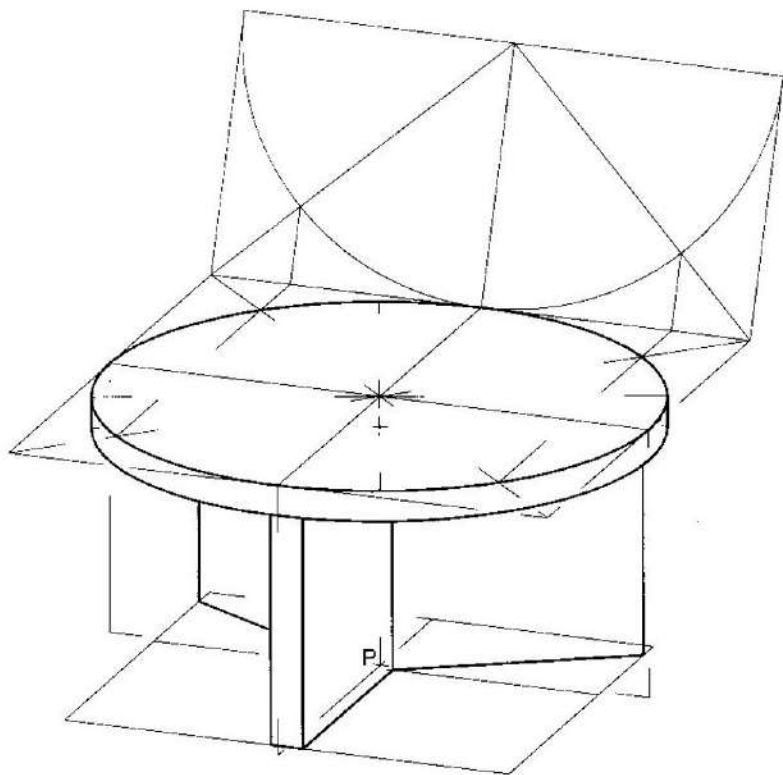
AC = 75 m  
AD = 60 m  
BD = 72.5 m  
DC = 40 m

E 1:500

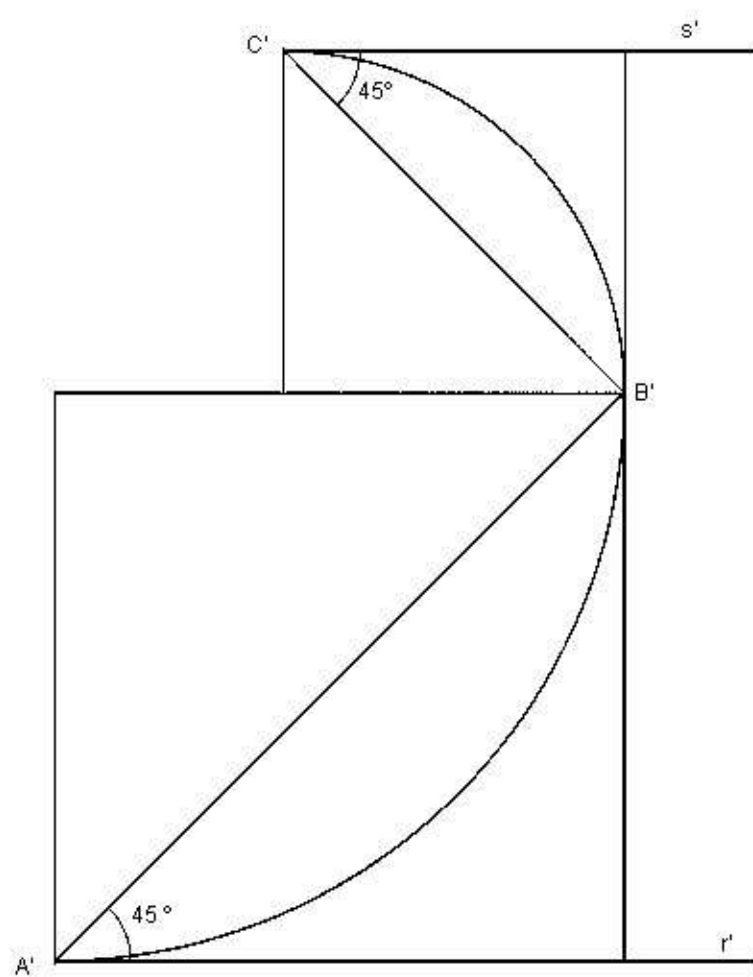
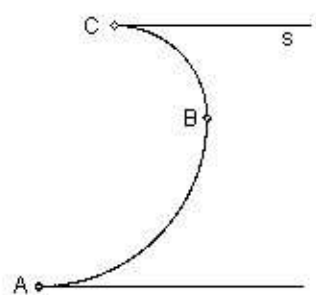




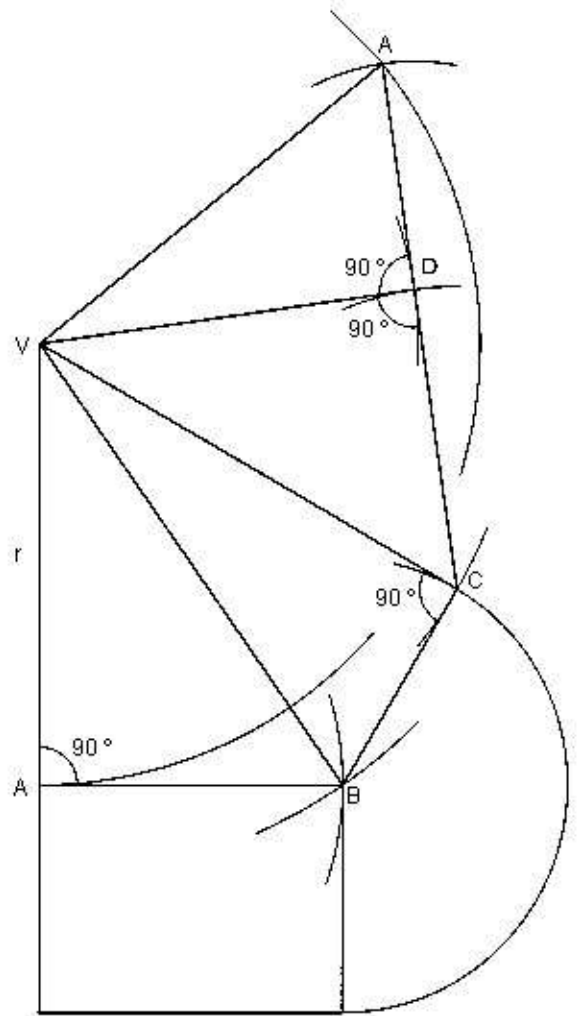
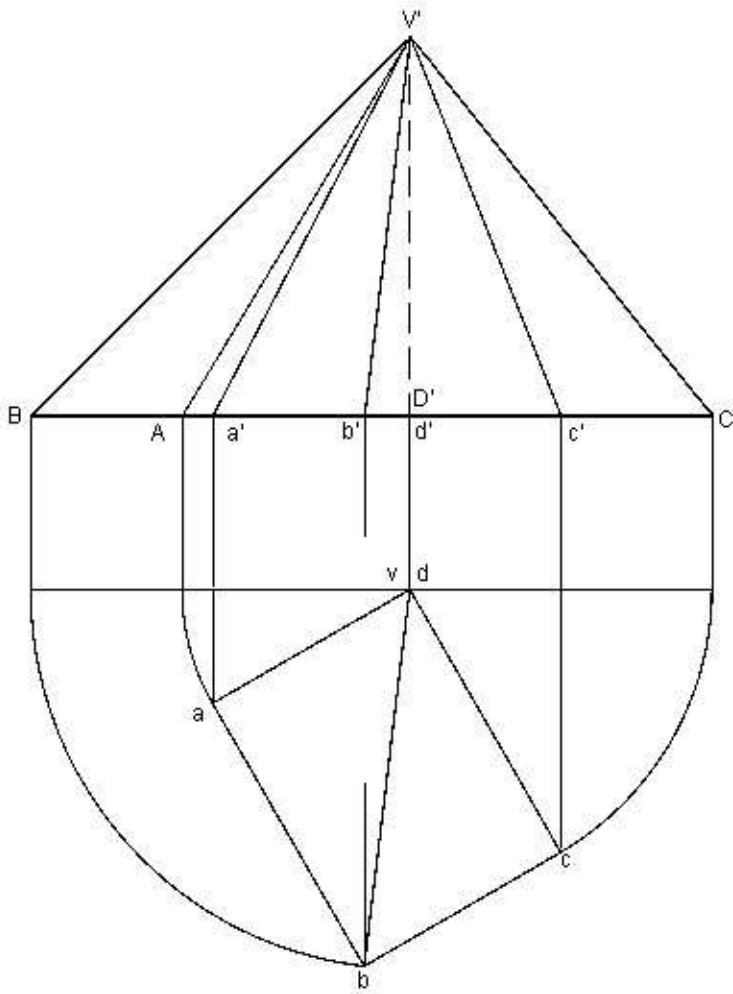




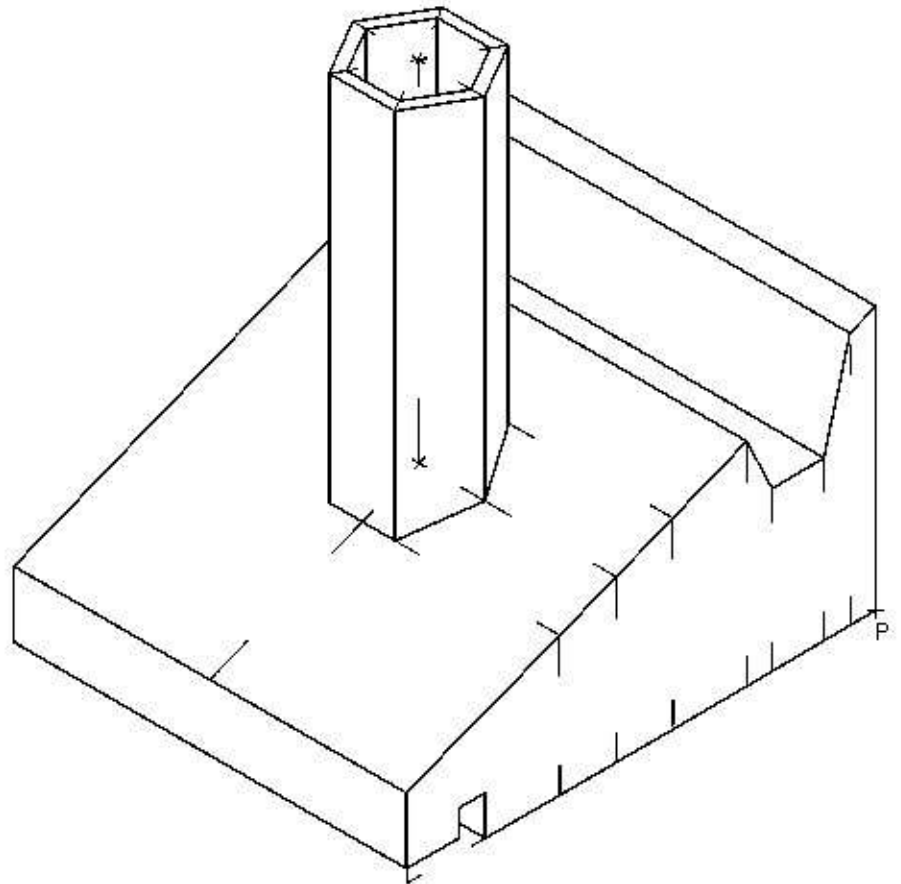
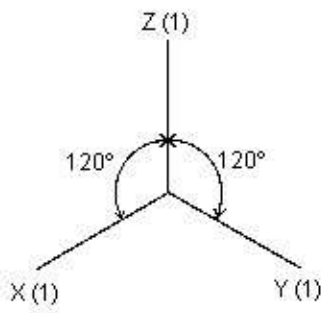
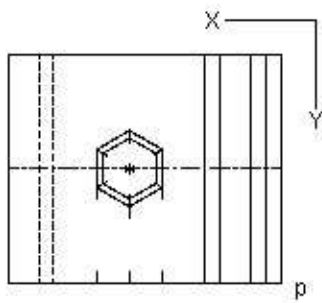
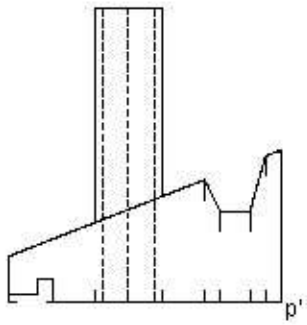
S5.1



S5.2



S5.3A



S5.3B

